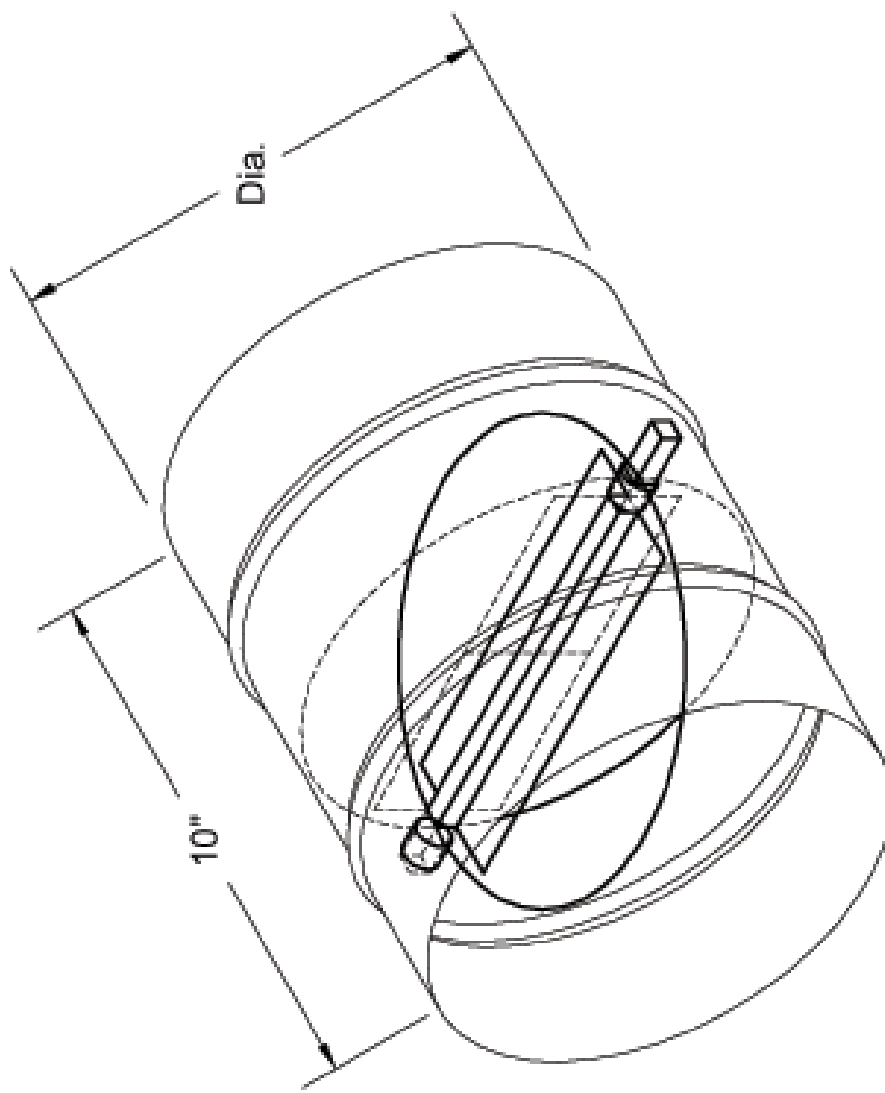


MODEL - SCD-RD-88

Round Steel Control Damper



Standard Specifications

Frame: Galvanized steel, roll reinforced

Diameter	Gauge
4" to 8"	22ga.
9" to 12"	20ga.
13" to 24"	18ga.

Blades: Galvanized steel with welded channel reinforcement.

Bearings: Bronze oilite

Extended Shaft: Removable $\frac{1}{2}$ " diameter, plated steel.

Axles: $\frac{3}{8}$ " Square plated steel.

Finish: Mill galvanized.

Maximum Temperature: 200°F.,