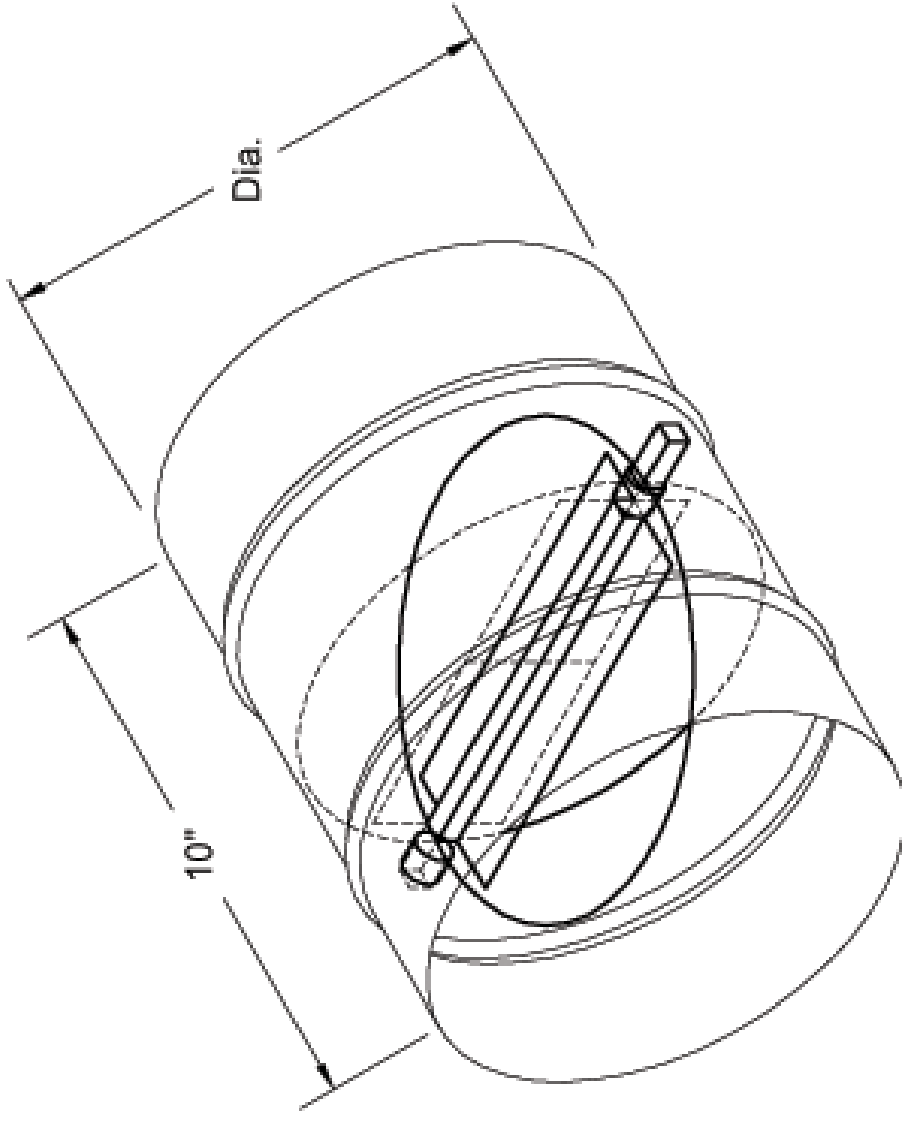


# MODEL - SCD-RD-LL-88

Low Leakage Round Steel Control Damper



## Standard Specifications

**Frame:** Galvanized steel, roll reinforced

Diameter	Gauge
4" to 8"	22ga.
9" to 12"	20ga.
13" to 24"	18ga.

**Blades:** Galvanized steel with welded channel reinforcement

**Bearings:** Bronze oilite

**Extended Shaft:** Removable  $\frac{1}{2}$ " diameter, plated steel.

**Axles:**  $\frac{3}{8}$ " Square plated steel.

**Finish:** Mill galvanized.

**Maximum Temperature:** 200°F..

**Seals:** Pressure sensitive, air pressure assist seals.